

## 1060-1550nm Mini Manual Variable Optical attenuator

### Features

- Low insertion loss
- High return loss
- Excellent environmental stability

### Application

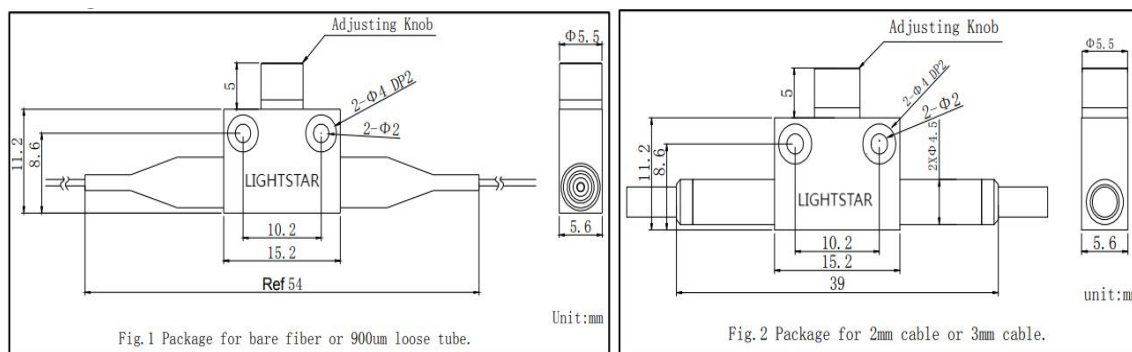
- Fiber laser
- Optical instrument
- Test instrument

### Specifications

Parameter	Unit	Value
Operating wavelength	nm	1550 or 1310 or 1060
Bandwidth	nm	±30
Additional losses	dB	0.6
Attenuation range	dB	30
Wavelength correlation loss <sub>23°C</sub>	dB	0.3
Maximum polarization dependent loss <sub>23°C</sub>	dB	0.1
Lower resolution 10dB attenuation range	dB	0.1
Temperature correlation loss( Minimum Attenuation)	dB	0.5
Minimum return loss	dB	50
Fiber type	-	Hi 1060 Fiber Corning SMF-28e+ Fiber
Maximum tensile load	N	5
Power(CW)	mW	300
Operating temperature	°C	0 to 70
Storage temperature	°C	-40 to +85 (No Condensing)

When using the Connector, the processing power is only 1W, the Insertion loss is 0.3dB higher, the return loss is 5dB lower, and the extinction ratio is 2dB lower. The Connector key is aligned with the slow axis.

### Package dimensions



### Ordering information

MVOA-①①①①-②-③-④

①①①① : Wavelength  
 1064=1064nm  
 1550=1550nm  
 SSSS=Specify

②: Connector  
 0=None  
 1=FC/UPC  
 2=FC/APC  
 S=Specify

③: Pigtail type  
 1=250um bare fiber  
 2=900um loose tube  
 S=Specify

④ : Length  
 H=0.5m  
 1= 1.0m  
 S=Specify